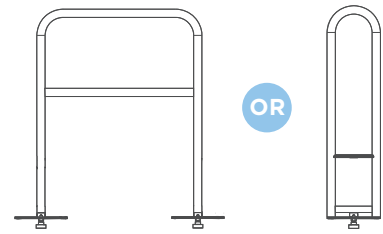


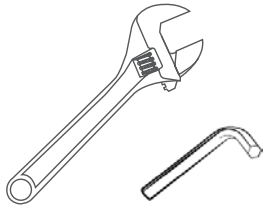
ACCESSORIES

HOW TO FIT TO BED

BED RAIL / BED STICK



ACCESSORIES	BED RAIL BEA830210	CROOK HANDLE BEA830200
-------------	--------------------	------------------------



For further installation and operating instructions, refer to the **User Manual**.

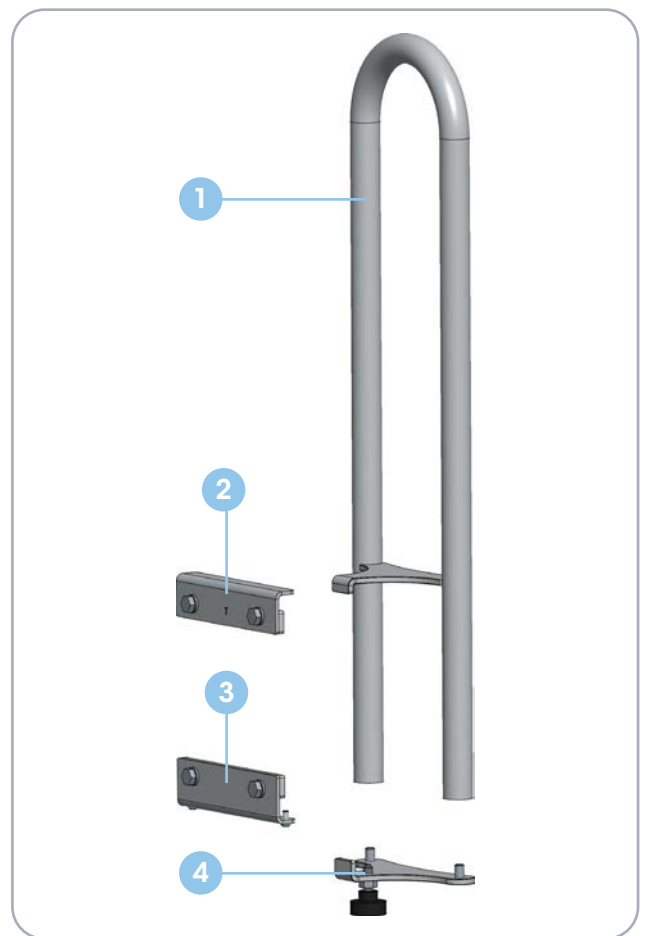
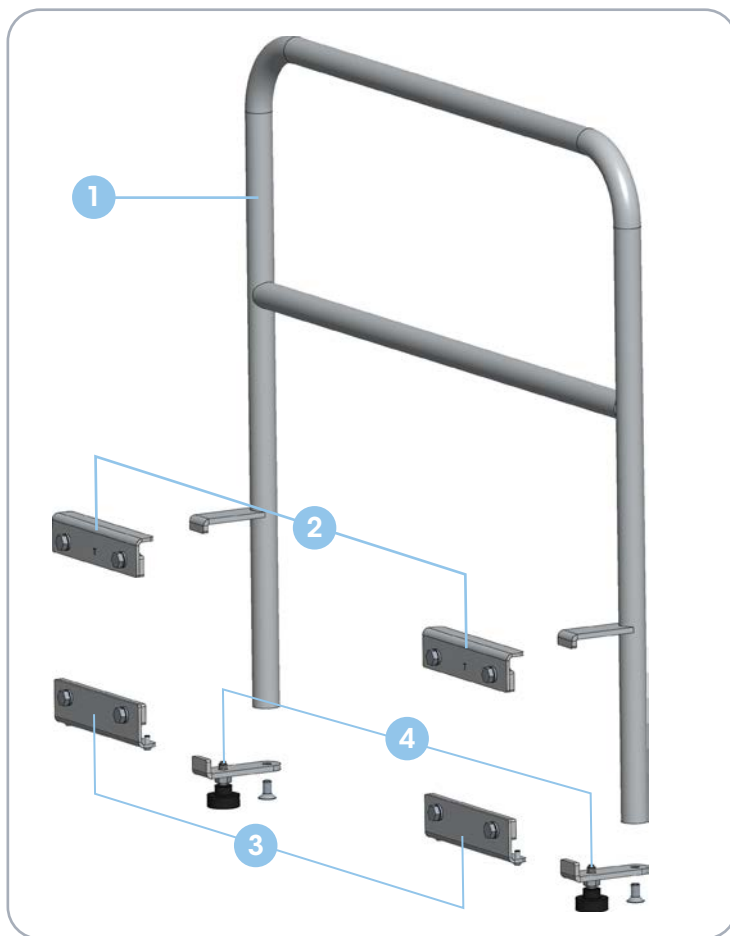
Tools Required:

- Allen Key (5mm)
- Adjustable Shifter/Spanner

KIT CONTENTS

Bed Rail

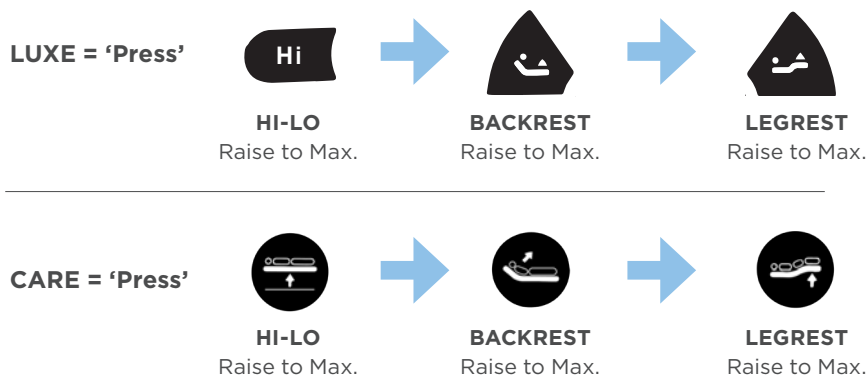
Crook Handle



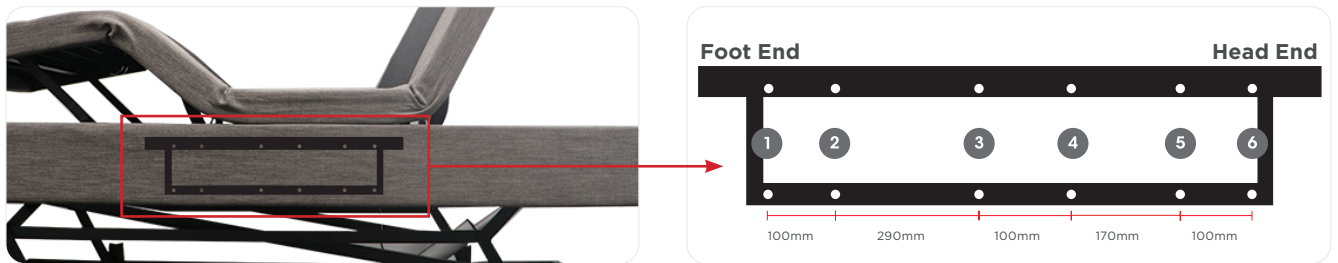
ITEM	QTY (BED RAIL)	QTY (CROOK HANDLE)	DESCRIPTION
1	1	1	Rail
2	2	1	Top Guide Rail
3	2	1	Bottom Guide Rail
4	2	1	Mounting Plate
5	2	1	Hand Bolts
6	8	4	M8 x 20 Bolts
7	8	4	M8 Washers
8	4	2	M5 x 10 Bolts
9	2	2	M8 x 16 Countersunk Bolts

NOTE: Some items not shown in images above

- 1 Raise bed height, backrest and knee break to maximum height for ease of access.
To adjust:



- 2 ComfiMotion beds have pre-installed mounting points for accessories.



NOTE: Frame not visible through upholstery, for instructional purposes only.

To install **bed rail (BEA830210)** - use positions 1, 2 and 5, 6.

To install **crook handle (BEA830200)** - use positions 3 and 4.

- 3 Assemble the top 2 and bottom 3 guide rail(s) onto the frame using the M8 x 20 bolts 6 and washers 7.

Bed Rail



Crook Handle



- 4 Slide the rail 1 between the mattress deck and frame and slide into the top guide rail(s). Slide the mounting plate(s) 3 into the bottom guide rail(s).

Bed Rail



Crook Handle



- 5 Attach the rail 1 and mounting plate(s) 3 using the M8 x 16 countersunk bolts 9.

- 6 Adjust the rail 1 within the rails to desired position. Once in place, lock in place by tightening the hand bolt(s) 5.



AIDACARE PTY LTD

Building 3A, 1 Moorebank Avenue,
Moorebank NSW Australia 2170
1300 133 120 | www.aspirecare.com.au

MADE IN PRC

