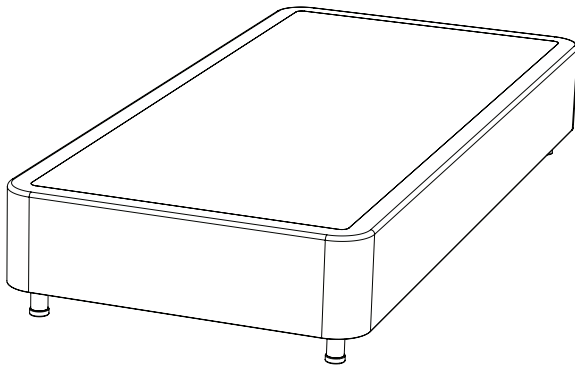


COMFIMOTION FIXED COMPANION BED

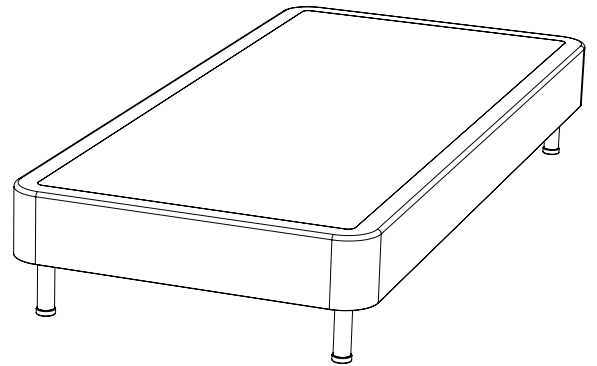
ASSEMBLY INSTRUCTIONS

FIXED COMPANION BED

BEB046800



OR



2 x OPTIONS
to assemble bed

OPTION 1

TALL UPHOLSTERY

FOR USE WITH:

- ✓ LUXE BED
- ✓ CARE BED
- ✓ RELAX BED
- ✗ ACTIV CARE BED

OPTION 2

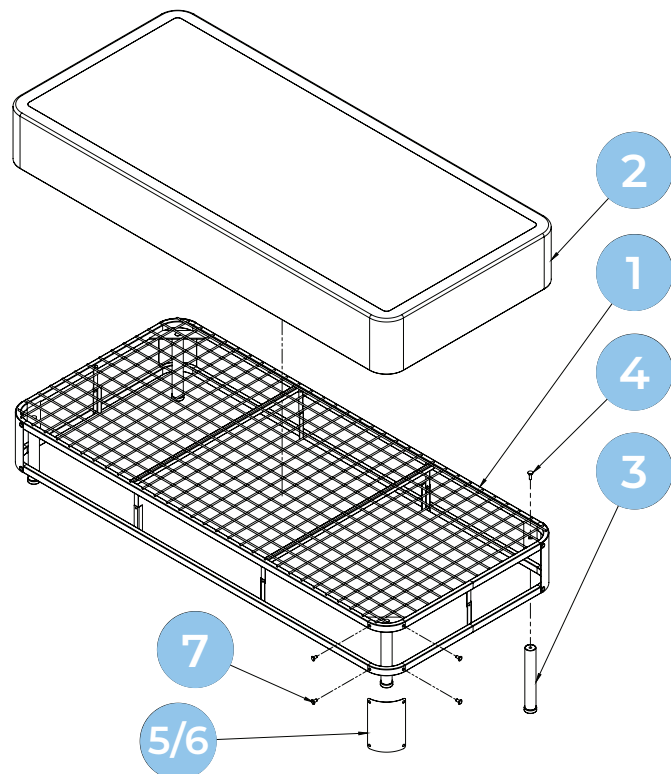
SHORT UPHOLSTERY

FOR USE WITH:

- ✗ LUXE BED
- ✗ CARE BED
- ✗ RELAX BED
- ✓ ACTIV CARE BED

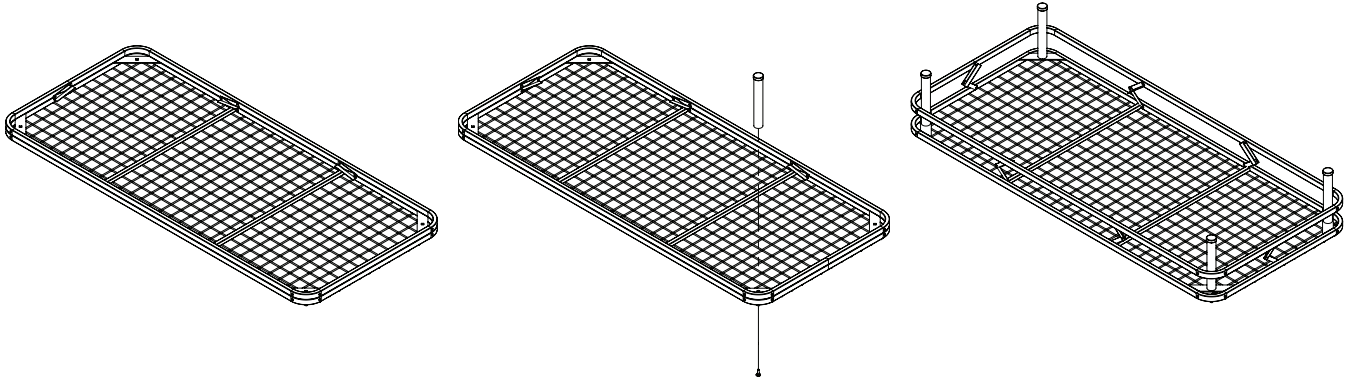
KIT CONTENTS:

ITEM	QTY	DESCRIPTION
1	1	Frame
2	1	Upholstery
3	4	Fixed Height Legs
4	4	Leg Bolts
5	4	Tall Corner Pieces
6	4	Short Corner Pieces
7	16	Plastic Clips



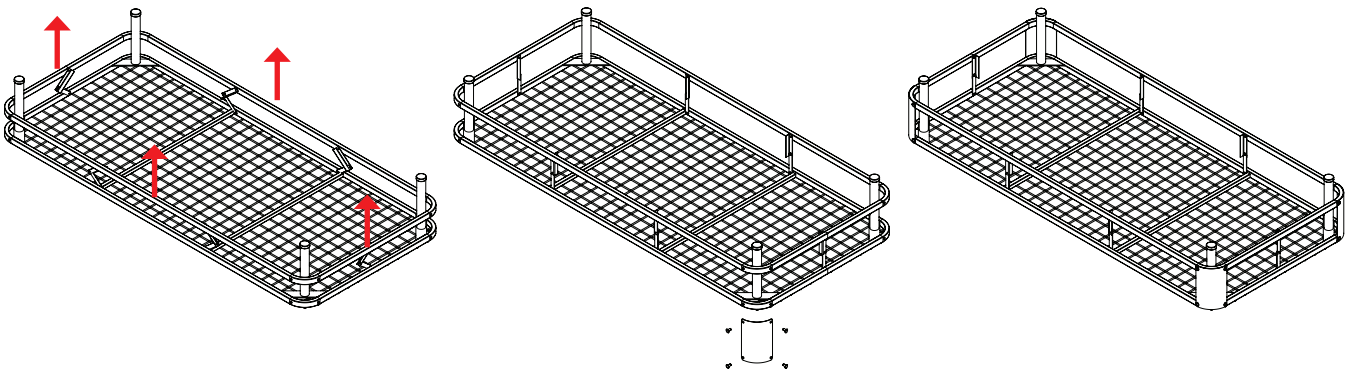
HOW TO ASSEMBLE:

- 1 Cut the zip ties holding legs, corners, upholstery, hardware and packaging to frame and put to one side.
- 2 Flip frame 1 upside-down so that the mesh deck is lying on floor.
- 3 Assemble the legs 3 to each corner of the frame. To do this, insert the bolts 4 through the square hole in the frame 1 and screw the legs to the bolts. Hand tighten only.

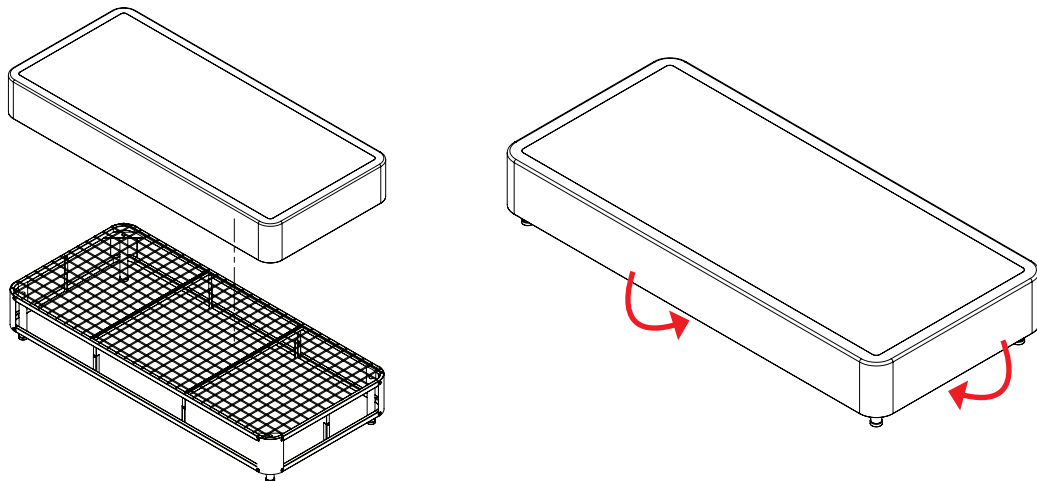


- 4 Gently pull the frame apart and install desired corner pieces on all four corners using the push in clips. Use tall corner pieces 5 for tall upholstery option or short corner pieces 6 for short upholstery option.

NOTE: Images shown are for TALL upholstery installation.



- 5 Flip the frame over so that its standing on its legs.
- 6 Slip the upholstery 2 onto the bed, fold excess underneath the frame and fix in place with the hook and loop strips sewn on internal side of upholstery.



- 7 The bed is now complete!